

WCB-TI32B2I WCB-TI32B2I(R)

Fire Detection Camera

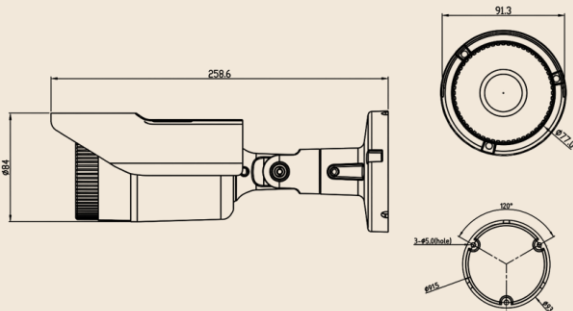
WCB-TI32B2I(R) >>



Key Features

- > 3 In 1 Fire Detection Camera
- > Fire Detection System including 3 functions
- > Build stronger security systems with security + fire / Flame detection
- > Fire detection cameras can be additionally installed on existing camera systems
- > Real-time Thermal Image Abnormal Temperature / Fire Detection / Flame Detection (PFN-TI30B2IR only)
- > Equipped with both thermal and flame sensors at the same time, In conjunction, the role of preventing fire in advance
- > Event / mobile push alarm for abnormal sign or flame
- > Afterward check up of the cause of the fire via real image
- > Infrared (185nm~260nm) Flame detection(PFN-TI30B2IR only)
- > 2.8~8.0mm Zoom In / Out, Auto Focus applied
- > Thermal image - Melexis Screening Sensor, 768 Pixels

Dimension



Flame Sensor	Wave Length	WCB-TI32B2I: Not Used WCB-TI32B2IR: 185nm~260nm
	Sensitivity	WCB-TI32B2I: Not Used WCB-TI32B2IR: 5000counts/min
	Detection Length	WCB-TI32B2I: Not Used WCB-TI32B2IR: Max 1candel 10m / 10candels 50m
	UV Filter	WCB-TI32B2I: Not Used WCB-TI32B2IR: 180um~
Thermal Sensor	Effective Pixels	32(h) x 24(v) = 768 pixels
	Wave-Length	8 ~ 14 μm
	FOV	55° (h) x 35° (v)
	Frame Rate	Less than 9 Hz
Lens	Tolerance	0~100°C : ±5%, 100~400°C : ±10%
	Detection Length	Black Body 8x8cm Max 2.5meter Ignition Source 50X50cm Max 12m
	Focal Length	2.8 ~ 8.0mm
	2-Motor	Adjust Auto Focus
Cmos	IRIS	ELC
	TDN	Day & Night
	Device	1/2.8" 5MEGA CMOS (IMX335LQN-C)
	Total	2704(H) x 2104(V)
Camera Functions	Effective	2616(H) x 1964(V)
	H/V Resolution	Max 2560/1440 Pixels
	Minimum illumination	Color: 0.2 Lux(50IRE) B/W: 0.05 Lux(50IRE)
	S/N Ratio	More than 40dB (AGC off)
Video	Frame	QHD 30fps
	OSD	English / Chinese / Chinese(S) / Japanese / Korea
	Control In/Out	OSD Key or UTC(In) / DTC(Alarm Out)
	White Balance	AUTO / AUTOext / PUSH / MANUAL
Alarm Output	WDR	Line mode(30fps) / Frame mode(15fps) and ROI
	Privacy Mask	BOX(16 Areas), Polygon(8 Areas), Color, Position
	Analog Output	TVI/AHD/CVBS
	Digital Output	BT1120
Power Consumption	-	DTC, Corner in Picture
	-	DC12V±10% Max 6 Watts
	-	WDR Frame mode: -10~50 °C
	-	71.5(W) x 77(H) x 199.8(D)mm
Operating Temperature	-	620g
	-	