

WAV-BC16ND

4K2K 16CH IP Decoder Box
H.264/H.265

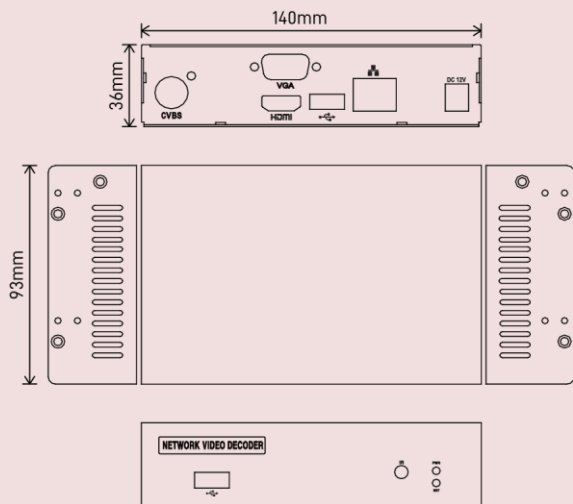
WAV-BC16ND >>



Key Features

- > Video Compression
 - Compression Standard: H.265 / H.264
 - Channel Capacity: 16-Channel
- > IP Camera Support
 - Max. Resolution: Up to 4K (8MP)
- > Real-Time Live Display
 - 480fps: 16-Split View (D1/VGA sub-stream or lower)
 - 120fps: Quad-Split View (1080p sub-stream or lower)
 - 30fps: Single-View (Up to 4K main-stream)
- > Video output
 - HDMI: Up to 4K @ 30fps
 - VGA: Up to 1080p @ 60fps
 - CVBS: NTSC / PAL Standard Definition (SD)
- > Display Modes
 - HDMI / VGA: 1 / 4 / 6 / 8 / 9 / 10 / 12 / 13 / 16 Split-view
 - CVBS: Single-view

Dimension



DISPLAY	Main Output (HDMI/VGA)	Resolution	Up to 4K2K
		Display Mode	1, 4, 6, 8, 9, 10, 13, 16
		Digital Zoom	Linear Zoom
	CVBS Output	NTSC/PAL	Single Ch up to D1
INTERFACE	Video In	Input	IPC Dual Stream up to 16CH
		HDMI	~Up to 4K2K 30
	Video Out	VGA	DSUB(~1080p60)
	Composite	CVBS	
	Audio Output	-	1 HDMI
ETC	I/O	USB	USB 2.0 two ports (Mouse, Snap-shot)
		Ethernet	1 RJ45(10/100/1000 Based -T)
		CODEC	- Video : H.265 / H.264 Audio : G.711 (A Law / U Law)
	Operating System	-	Embedded Linux
	IPC Protocol	-	ONVIF
		~ D1	Up to 480fps
		~ 720p	Up to 240fps
		~ 1080p	Up to 120fps
	Decoding & Display	~ 4K2K	Up to 30fps
		Max. fps/ch	30
	Remote Viewer (TBD)	Max. Resolution	4K2K
		PC	Web, VMS, macOS
		Mobile	Android, iOS
	Control	-	USB Mouse, Remote Control
	Capture	-	JPEG Snapshot to USB Thumb Drive
GENERAL	Power	-	12V/1A or higher
	Operating Env.	-	5~40°C / 20~80% RH
	Dimension (W x D x H)	-	140x93x36
	Weight	-	250g